

EMPTY PENTAGONS IN POINT SETS WITH COLLINEARITIES

JÁNOS BARÁT, VIDA DUJMOVIĆ, GWENAËL JORET, MICHAEL S. PAYNE,
LUDMILA SCHARF, DARIA SCHYMURA, PAVEL VALTR, AND DAVID R. WOOD

ABSTRACT. An empty pentagon in a point set P in the plane is a set of five points in P in strictly convex position with no other point of P in their convex hull. We prove that every finite set of at least $328\ell^2$ points in the plane contains an empty pentagon or ℓ collinear points. This is optimal up to a constant factor since the $(\ell - 1) \times (\ell - 1)$ grid contains no empty pentagon and no ℓ collinear points. The previous best known bound was doubly exponential.

1. INTRODUCTION

The Erdős-Szekeres Theorem [5], a classical result in discrete geometry, states that for every integer k there is a minimum integer $ES(k)$ such that every set of at least $ES(k)$ points in general position in the plane contains k points in convex position. Erdős [4] asked whether a similar result held for empty k -gons (k points in convex position with no other points inside their convex hull). Horton [9] answered this question in the negative by showing that there are arbitrarily large point sets in general position that contain no empty heptagon. On the other hand, Harborth [8] showed that every set of at least 10 points in general position contains an empty pentagon. More recently, Nicolás [11] and Gerken [7] independently settled the question for $k = 6$ by showing that sufficiently large point sets in general position always contain empty hexagons; see also [10, 13].

These questions are not interesting if the general position condition is abandoned completely, since a collinear point set contains no three points in convex position.

Date: July 17, 2012.

2000 *Mathematics Subject Classification.* 52C10 Erdős problems and related topics of discrete geometry.

This research was supported by the DAAD and the Go8 within the Australia–Germany Joint Research Co-operation Scheme 2011/12 as part of the project *Problems in geometric graph theory* (Kennz. 50753217).

János Barát is supported by the Hungarian National Science Foundation (OTKA) Grant K 76099, and Australian Research Council (ARC) grant DP120100197. Vida Dujmović is supported by the Natural Sciences and Engineering Research Council (NSERC) of Canada, and by an Endeavour Fellowship from the Australian Government. Gwenaël Joret is a Postdoctoral Researcher of the Fonds National de la Recherche Scientifique (F.R.S.–FNRS), and is also supported by an Endeavour Fellowship. Michael Payne is supported by an Australian Postgraduate Award from the Australian Government. Ludmila Scharf is supported by the German Research Foundation (DFG) Grant AL 253/7-1. Daria Schymura was supported by the DFG within the Priority Programme 1307 *Algorithm Engineering*. Pavel Valtr is supported by the Ministry of Education of the Czech Republic under project CE-ITI (GAČR P2020/12/G061). David Wood is supported by a QEII Research Fellowship from the ARC.

However, considering point sets with a bounded number of collinear points does lead to interesting generalisations of these problems. First some definitions are needed. A point set X in the plane is in *weakly convex position* if every point in X lies on the boundary of $\text{conv}(X)$, the convex hull of X . A point $x \in X$ is a *corner* of X if $\text{conv}(X \setminus \{x\}) \neq \text{conv}(X)$. The set X is in *strictly convex position* if every point in X is a corner of X . A *weakly* (respectively *strictly*) *convex k -gon* is a set of k points in weakly (respectively strictly) convex position. It is well known that the Erdős-Szekeres theorem generalises for point sets with bounded collinearities; see [1] for proofs. One generalisation states that every set of at least $\text{ES}(k)$ points contains a weakly convex k -gon. For strictly convex position, the generalisation states that for all integers k and ℓ there exists a minimum integer $\text{ES}(k, \ell)$ such that every set of at least $\text{ES}(k, \ell)$ points in the plane contains ℓ collinear points or a strictly convex k -gon.

This paper addresses the case of empty pentagons in point sets with collinearities. A subset X of a point set P is an *empty k -gon* if X is a strictly convex k -gon and $P \cap \text{conv}(X) = X$. Abel et al. [1] showed that every finite set of at least $\text{ES}(\frac{(2\ell-1)^\ell-1}{2\ell-2})$ points in the plane contains an empty pentagon or ℓ collinear points. The function $\text{ES}(k)$ is known to grow exponentially [5, 6], so this bound is doubly exponential in ℓ . See [3, 12] for more on point sets with no empty pentagon. In the present paper the following theorem is proved without applying the Erdős-Szekeres Theorem.

Theorem 1. *Let P be a finite set of points in the plane. If P contains at least $328\ell^2$ points, then P contains an empty pentagon or ℓ collinear points.*

This quadratic bound is optimal up to a constant factor since the $(\ell-1) \times (\ell-1)$ square grid has $(\ell-1)^2$ points and contains neither an empty pentagon nor ℓ collinear points.

Concerning the general question of the existence of empty k -gons in point sets with collinearities, Horton's negative result for empty heptagons also applies in this setting. However, it is not clear how to adapt the proofs of Nicolás and Gerken to deal with collinearities, and the case $k=6$ remains open.

The point set P will be assumed to be finite throughout this paper, and indeed Theorem 1 does not hold for infinite sets. A countably infinite point set in general position with no empty pentagons can be constructed recursively from any finite set in general position by repeatedly placing points inside every empty pentagon, avoiding collinearities. On the other hand, Theorem 1 easily generalises to *locally finite* point sets, point sets which contain only finitely many points in any bounded region. The result of Abel et al. [1] already implies that an infinite locally finite set with no empty pentagon contains ℓ collinear points for every positive integer ℓ .

The remainder of this section introduces terminology that is used throughout the paper. The *convex layers* L_1, \dots, L_r of P are defined recursively as follows: L_i is the subset of P lying in the boundary of the convex hull of $P \setminus \bigcup_{j=1}^{i-1} L_j$, and L_r is the innermost layer, so $P = \bigcup_{i=1}^r L_i$ and $L_i \neq \emptyset$ for $i = 1, \dots, r$. Note that each layer is in weakly convex position.

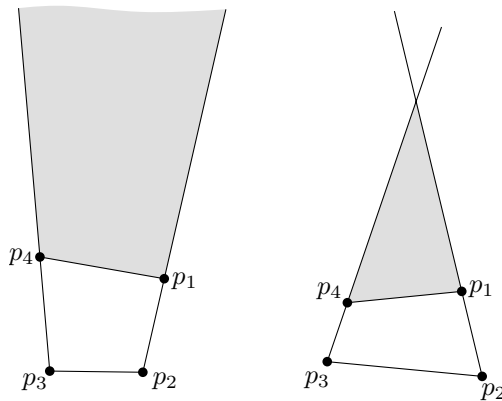


Figure 1. The shaded regions represent the 4-sector $S(p_1, p_2, p_3, p_4)$, which may be bounded or unbounded.

Points of P will also be referred to as *vertices* and line segments connecting two points of P as *edges*. The *edges of a layer* are the edges between consecutive points in the boundary of the convex hull of that layer. Edges of layers will always be specified in clockwise order. A single letter such as e is often used to denote an edge. For an edge e , let $l(e)$ denote the line containing e . Some edges will be used to determine half-planes. The open half-planes determined by $l(e)$ will be denoted e^+ and e^- , where the $+$ and $-$ sides will be determined later. Similarly, the closed half-planes determined by $l(e)$ will be denoted e^\oplus and e^\ominus .

Gerken [7] introduced the notion of k -sectors. If $p_1p_2p_3p_4$ is a strictly convex quadrilateral (that is, a strictly convex 4-gon), then the 4-sector $S(p_1, p_2, p_3, p_4)$ is the set of all points q such that $qp_1p_2p_3p_4$ is a strictly convex pentagon. Note that the order of the arguments is significant. $S(p_1, p_2, p_3, p_4)$ is the intersection of three open half-planes, and may be bounded or unbounded, as shown in Figure 1. The closure of a 4-sector will be denoted by square brackets, $S[p_1, p_2, p_3, p_4]$. If P contains no empty pentagon and $p_1p_2p_3p_4$ is an empty quadrilateral in P , then $P \cap S(p_1, p_2, p_3, p_4) = \emptyset$. Otherwise, since P is finite, there exists a point $x \in P \cap S(p_1, p_2, p_3, p_4)$ closest to the line $l(p_1p_4)$, and $xp_1p_2p_3p_4$ is an empty pentagon.

2. LARGE SUBSETS IN WEAKLY CONVEX POSITION

The first major step in proving Theorem 1 is to establish the following theorem concerning point sets with large subsets in weakly convex position.

Theorem 2. *If a point set P contains 8ℓ points in weakly convex position, then P contains an empty pentagon or ℓ collinear points.*

A similar result has been obtained independently by Cibulka and Kynčl [2]. Theorem 2 immediately implies that every point set with $ES(8\ell)$ points contains an empty pentagon or ℓ collinear points, which is already a substantial improvement on the result of Abel et al. [1] mentioned above. The rest of this section is dedicated to proving it.

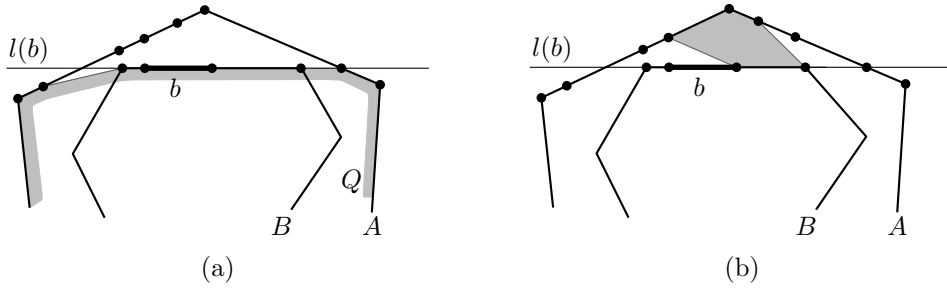


Figure 2. (a) If $|A \cap b^+| \leq |B \cap l(b)|$, then A is not minimal. (b) If b^+ contained three non-collinear points of A , there would be an empty pentagon.

Throughout this section, let P be a set of points in the plane that contains 8ℓ points in weakly convex position but contains no ℓ collinear points. Suppose for the sake of contradiction that P contains no empty pentagon. Let A be an inclusion-minimal weakly convex 8ℓ -gon in P . That is, there is no weakly convex 8ℓ -gon A' such that $\text{conv}(A') \subsetneq \text{conv}(A)$. An empty pentagon in $P \cap \text{conv}(A)$ is an empty pentagon in P , so it can be assumed that $P \subseteq \text{conv}(A)$, so A is the first convex layer of P . Let B be the second convex layer of P . For an edge e of A or B , let e^+ be the open half-plane determined by $l(e)$ that does not contain any point in B .

Observation 3. For each edge b of B , $|A \cap b^+| > |B \cap l(b)|$. Similarly, if b_1, b_2, \dots, b_j are edges of B , then

$$\left| A \cap \bigcup_{i=1}^j b_i^+ \right| > \left| B \cap \bigcup_{i=1}^j l(b_i) \right|.$$

Proof. If $|A \cap b^+| \leq |B \cap l(b)|$ then removing the vertices $A \cap b^+$ from A and replacing them by $B \cap l(b)$ gives a weakly convex m -gon Q such that $m \geq |A|$ and $\text{conv}(Q) \subsetneq \text{conv}(A)$, contradicting the minimality of A ; see Figure 2(a). The second claim follows from the minimality of A in a similar way. \square

Observation 4. For each edge b of B , the vertices of $A \cap b^+$ are collinear.

Proof. By Observation 3, there are at least 3 points in $A \cap b^+$. If $A \cap b^+$ is not collinear, then there is an empty pentagon; see Figure 2(b). \square

The following lemma implies that B has at least 4ℓ vertices.

Lemma 5. $2|B| \geq |A|$.

Proof. Since $|A| \geq 8\ell$, A has at least nine corners. Thus $B \neq \emptyset$. If B is collinear then let h be the line containing B . There are at most two corners of A on h , so there are at least four corners of A strictly to one side of h . The interior of the convex hull of these four corners together with any point in B is empty. This implies that there is an empty pentagon in P , a contradiction.

Therefore B has at least three corners, and at least three sides, where a *side* of B is the set of edges between consecutive corners. Let b_1, \dots, b_k be edges of B , one in

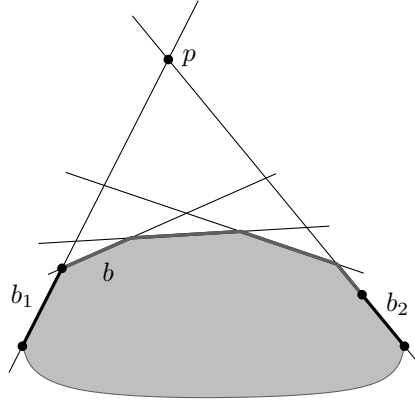


Figure 3. Lemma 6.

each side of B . By Observation 4, each of the sets $A \cap b_i^+$ is collinear for $i = 1, \dots, k$. Thus $|A| \leq \sum_{i=1}^k |A \cap b_i^+| < k\ell$, and so $k \geq 9$. In other words, B has at least nine corners, so there is at least one point $z \in P$ in the interior of $\text{conv}(B)$. Suppose that for some edge xy of A the closed triangle $\Delta[x, y, z]$ contains no point of B . Then there is an edge $x'y'$ of B that crosses this triangle. The 4-sector $S(x', x, y, y')$ contains z , contradicting the fact that P contains no empty pentagon. Thus every such closed triangle contains a point of B . Since each point of B is in at most two such closed triangles, $2|B| \geq |A|$. \square

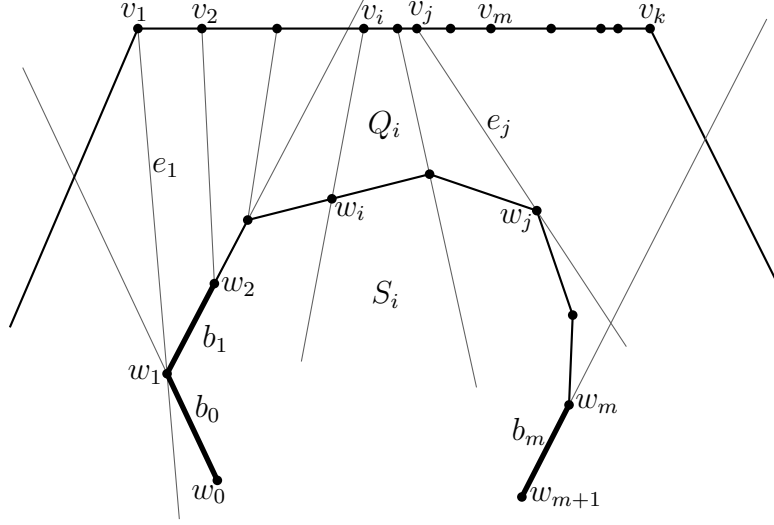
The following lemma implies that for a set of points X , the first edge b in B in clockwise order such that $X \subseteq b^+$ is well defined, as long as there is at least one such edge.

Lemma 6. *For any set of points $X \neq \emptyset$, let E_X be the set of edges b in B such that $X \subseteq b^+$. Then the edges in E_X are consecutive in B , and not every edge of B is in E_X .*

Proof. If $X \cap \text{conv}(B) \neq \emptyset$ then $E_X = \emptyset$. Take a point $x \in X$, so $x \notin \text{conv}(B)$. Let y be a point in the interior of $\text{conv}(B)$ that is not collinear with any two points of $B \cup \{x\}$. Then $l(xy)$ intersects precisely two edges b and \tilde{b} of B , with $x \in b^+$ and $x \in \tilde{b}^-$. Thus, $X \not\subseteq \tilde{b}^+$, so E_X does not contain every edge of B .

If E_X contains only one edge then the lemma holds, so consider two edges b_1 and b_2 in E_X and suppose they are not consecutive. If $l(b_1) = l(b_2)$, then clearly the edges between b_1 and b_2 on $l(b_1)$ are also in E_X . Now suppose $l(b_1) \neq l(b_2)$. If $l(b_1)$ and $l(b_2)$ are parallel, then $b_1^+ \cap b_2^+ = \emptyset$, a contradiction. So $l(b_1)$ and $l(b_2)$ cross at a point p . Without loss of generality, p is above B with b_1 on the left and b_2 on the right, as shown in Figure 3. Let b be the next edge clockwise from b_1 . Then clearly $p \in b^\oplus$, so $b_1^+ \cap b_2^+ \subseteq b^+$, and hence $b \in E_X$. Iterating this argument shows that every edge clockwise from b_1 until b_2 is in E_X . It follows that the edges in E_X are consecutive in B . \square

Let a be an edge of A such that $|A \cap l(a)| \geq 3$. Such an edge exists by Observations 3 and 4. Let $\{v_1, \dots, v_k\}$ be $A \cap l(a)$ in clockwise order. Thus $k < \ell$.

Figure 4. Definition of b_1 and the quadrilaterals Q_i .

Lemma 7. *There is an edge b of B such that $\{v_1, v_2, v_3\} \subseteq b^+$ or $\{v_{k-2}, v_{k-1}, v_k\} \subseteq b^+$.*

Proof. Let b be an edge of B with $v_2 \in b^+$. Such an edge exists, since otherwise $v_2 \in \text{conv}(B)$. Observations 3 and 4 imply that $|A \cap b^+| \geq 3$ and $A \cap b^+$ is collinear. Thus if $v_1 \in b^+$, then $\{v_1, v_2, v_3\} \subseteq b^+$, as required. Otherwise $l(b)$ intersects $l(a)$ between v_1 and v_2 , so $\{v_2, v_3, \dots, v_k\} \subseteq b^+$ and $k \geq 4$, because if $k = 3$ then $|A \cap b^+| = 2$. \square

By Lemma 7, without loss of generality, there is an edge b of B such that $\{v_1, v_2, v_3\} \subseteq b^+$, and by Lemma 6 the edges with this property are consecutive in B . Let b_1 be the first one in clockwise order. For an illustration of the following definitions, see Figure 4. First observe that $|A \cap l(a) \cap \tilde{b}^+| \geq 3$ cannot hold for every edge \tilde{b} of B , because otherwise $A \cap l(a) = A$ by Observation 4, and so $|A| < \ell$. Define the endpoints of b_1 to be w_1 and w_2 in clockwise order. Let w_3, \dots, w_{m+1} and $b_i := w_i w_{i+1}$ be subsequent vertices and edges of B in clockwise order, where $|A \cap l(a) \cap b_{m-1}^+| \geq 3$ but $|A \cap l(a) \cap b_m^+| \leq 1$. Then $m \leq |B \cap \bigcup_{i=1}^{m-1} l(b_i)| < |A \cap \bigcup_{i=1}^{m-1} b_i^+| \leq k$ by Observation 3. Now define $e_i := v_i w_i$ for $i = 1, \dots, m$. Let e_i^- be the open half-plane determined by $l(e_i)$ that contains v_1 , or that does not contain v_2 in the case of e_1 .

Let j be minimal such that the closed half-plane e_j^\ominus contains B . Clearly $j \neq 1$ since $w_2 \in e_1^+$. The following argument shows that j is well-defined. Call e_i *good* if w_i is the closest point of $l(e_i) \cap \text{conv}(B)$ to v_i . First suppose that e_m is good, so in particular $v_m \in b_{m-1}^+$. Since m was chosen so that $|A \cap l(a) \cap b_{m-1}^+| \geq 3$ but $|A \cap l(a) \cap b_m^+| \leq 1$, and since $m < k$, it follows that $v_m \in b_m^\ominus$ also. This implies that $B \subseteq e_m^\ominus$, as illustrated in Figure 5(a), and so j is well-defined. Now suppose that e_m is not good. By the choice of b_1 , both e_1 and e_2 are good, so let p be minimal such that e_p is not good. Thus $3 \leq p \leq m$. Then w_{p-2} is in e_{p-1}^- because e_{p-1} is good, and w_p is in e_{p-1}^- because e_p is not good, as shown in Figure 5(b). This implies that $B \subseteq e_{p-1}^\ominus$, so j is well-defined. Note that this also shows that e_i is good for all $i = 1, \dots, j$.

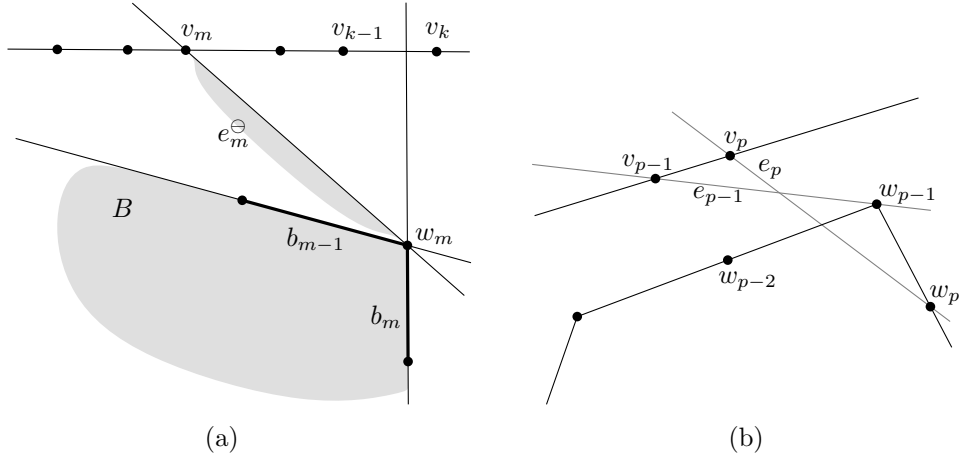


Figure 5. (a) If e_m is good then $B \subseteq e_m^\ominus$. (b) If e_{p-1} is good and e_p is not, then $B \subseteq e_{p-1}^\ominus$.

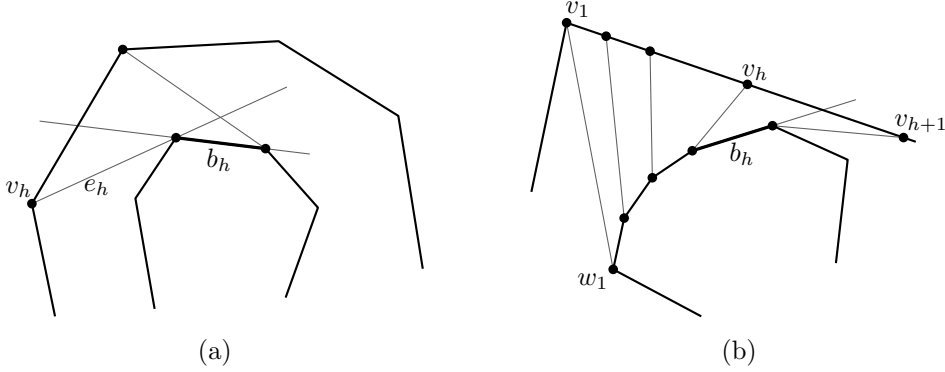


Figure 6. (a) If $v_h \in b_h^\ominus$ then $B \subseteq e_h^\ominus$. (b) If $v_{h+1} \in b_h^\ominus$ then $A \cap \bigcup_{i=1}^h b_i^+ = \{v_1, \dots, v_h\}$.

Define the quadrilaterals $Q_i := w_i v_i v_{i+1} w_{i+1}$ for $i = 1, \dots, j-1$. By the following argument, the quadrilaterals Q_i are strictly convex. Suppose on the contrary that Q_h is not strictly convex, and h is minimal. There are two possible order types for Q_h . The first possibility is that $v_h \in b_h^\ominus$ and so $B \subseteq e_h^\ominus$ (since e_h is good), contradicting the minimality of j ; see Figure 6(a). The second possibility is that $v_{h+1} \in b_h^\ominus$ and so $A \cap \bigcup_{i=1}^h b_i^+ = \{v_1, \dots, v_h\}$, which contradicts Observation 3 since $|B \cap \bigcup_{i=1}^h l(b_i)| \geq h+1$; see Figure 6(b).

Let $S_i := S[w_i, v_i, v_{i+1}, w_{i+1}]$ be the closed 4-sector of the quadrilateral Q_i for $i = 1, \dots, j-1$. Note that $B \cap S_i = B \cap e_i^\oplus \cap e_{i+1}^\ominus$. Take a point $x \in B \cap e_1^\oplus$. Then $x \in e_j^\ominus$ since $B \subseteq e_j^\ominus$. Let h be minimal such that $x \in e_{h+1}^\ominus$. If $h = 0$ then $x \in l(e_1) \cap B \subseteq S_1$. Otherwise $x \notin e_h^\ominus$, so $x \in e_h^\oplus$, and so $x \in S_h$. Hence $B \cap e_1^\oplus \subseteq \bigcup_{i=1}^{j-1} S_i$.

The quadrilaterals Q_i are empty because they lie between the layers A and B . Therefore no S_i contains a point of B in its interior, and so all the points of $B \cap e_1^\oplus$ lie on the lines $l(e_1), \dots, l(e_j)$. Since B is in weakly convex position, $|B \cap l(e_i)| \leq 2$ for

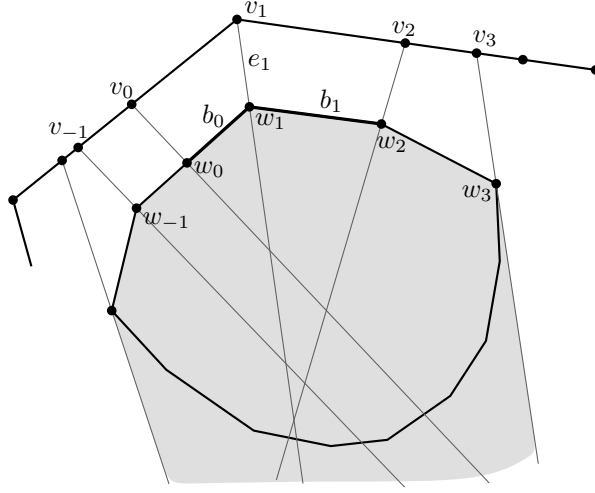


Figure 7. The convex hull of B is covered by the union of the closed sectors S_i .

$i = 2, \dots, j-1$. There can be at most $\ell-2$ points of B on $l(e_1)$ and $l(e_j)$. In fact there are less points of B on $l(e_1)$ and $l(e_j)$, as the following argument shows. Note that w_m is a corner of B since $A \cap b_{m-1}^+ \neq A \cap b_m^+$. Therefore $B \cap l(e_j) \subseteq \{w_j, \dots, w_m\}$, and so $|B \cap l(e_j)| \leq m - j + 1$. Since $j, m < \ell$, adding up the bounds for each $l(e_i)$ yields $|B \cap e_1^\oplus| \leq (\ell - 2) + 2(j - 2) + (m - j + 1) < 3\ell$. Since $|B| \geq 4\ell$ by Lemma 5, this implies that $B \not\subseteq e_1^\oplus$, which implies that $|B \cap l(e_1)| \leq 2$. Hence $|B \cap e_1^\oplus| \leq 2(j - 1) + (m - j + 1) < 2\ell$.

It remains to bound the size of the rest of B , that is, $|B \cap e_1^-|$. Define $v_0, v_{-1}, v_{-2}, \dots$ and $w_0, w_{-1}, w_{-2}, \dots$ to be the vertices of A and B proceeding anticlockwise from v_1 and w_1 respectively. Define $b_0 := w_0w_1$. Since $B \not\subseteq e_1^\oplus$, it follows that $v_1 \in b_0^+$, as shown in Figure 7. Since b_1 is the first edge in clockwise order with $\{v_1, v_2, v_3\} \subseteq b_1^+$, neither v_2 nor v_3 is in b_0^+ . Hence by Observation 3, $\{v_1, v_0, v_{-1}\} \subseteq b_0^+$. Also, by Observation 4, neither v_0 nor v_{-1} is in b_1^+ , so b_0 is the first edge of B with $\{v_1, v_0, v_{-1}\} \subseteq b_0^+$ in anticlockwise order (recall that edges with this property are consecutive in B by Lemma 7). Therefore, the argument that started at b_1 and proceeded clockwise may be started at b_0 and proceed anticlockwise instead. In this situation, the edge e_1 will remain the same as before because the starting points v_1 and w_1 are unchanged. Thus the argument will cover $B \cap e_1^\ominus$ with 4-sectors and, analogously to before, show that $|B \cap e_1^\ominus| < 2\ell$. This implies that $|B| \leq |B \cap e_1^\ominus| + |B \cap e_1^\oplus| < 4\ell$, which contradicts the fact that $|B| \geq 4\ell$. This completes the proof of Theorem 2. \square

3. PROOF OF THEOREM 1

Let P be a set of at least $328\ell^2$ points with no ℓ collinear points, and suppose for the sake of contradiction that P does not contain an empty pentagon. Let L_1, \dots, L_r be the convex layers of P , with L_1 the outermost and L_r the innermost layer. Theorem 2 implies that $|L_i| < 8\ell$ for every i . The layers are divided into three groups as follows.

The layers $L_{r-\ell+1}$ to L_r are the *inner layers*. Hence $|L_{r-\ell+1} \cup \dots \cup L_r| < 8\ell^2$. The layers L_1 to L_a are the *outer layers*, where a is the minimum integer such that $|L_1 \cup \dots \cup L_a| \geq 64\ell(\ell-1)$. This means that $|L_1 \cup \dots \cup L_a| \leq 64\ell(\ell-1) + 8\ell < 64\ell^2$. The remaining layers L_{a+1} to $L_{r-\ell}$ are the *middle layers*.

The strategy of the proof is to analyse the structure of the middle layers and show that if there are too many middle layers, then the outer layers contain less points than the lower bound in the previous paragraph. This contradiction implies that there are not too many middle layers. Since the size of each layer is limited by Theorem 2, this yields an upper bound on the number of points in the middle layers. Adding this upper bound to those just established for the inner and outer layers will give a contradiction to the assumed size of P , completing the proof.

Abel et al. [1] introduced the following definition and lemma. Fix a point $z \in L_r$. An edge xy of L_i is *empty* if the open triangle $\Delta(x, y, z)$ contains no points of L_{i+1} .

Lemma 8. [1] *If L_i contains an empty edge for some $i \in \{1, \dots, r - \ell + 1\}$, then P contains an empty pentagon or ℓ collinear points.*

Lemma 8 is not stated in this form in the paper by Abel et al. [1], so the proof is included in Appendix A for completeness.

For now, consider only the points in the middle layers L_{a+1} to $L_{r-\ell}$. For each point v in a middle layer L_i , define the left and right child of v as follows (see Figure 8(a)). Let x be the closest point to v in $\text{conv}(L_{i+1}) \cap vz$ (where vz is the line segment from v to z). The *right child* of v is the point in L_{i+1} immediately clockwise from x . The *left child* of v is the point in L_{i+1} immediately anticlockwise from x . Note that although x may be in P , x is neither the left nor the right child of v .

A *right chain* is a sequence v_1, \dots, v_t of points in $L_{a+1} \cup \dots \cup L_{r-\ell}$ such that v_{i+1} is the right child of v_i . A *left chain* is defined in a similar fashion. A *subchain* is a chain contained in a larger chain, and a *maximal chain* is one that is not a proper subchain of another chain. A point cannot be the right child of two points u and v in L_i , otherwise the edge uv (or the edges in the segment uv if u and v are not adjacent) would be empty, contradicting Lemma 8. Similarly, a point cannot be the left child of two points. This implies that maximal right chains do not intersect one another, and similarly for maximal left chains. Furthermore, by construction each point in the middle layers has a left and a right child, so every maximal chain contains a point in $L_{r-\ell}$. Together these observations imply the following lemma.

Lemma 9. *Every point in the middle layers is in precisely one maximal right chain and one maximal left chain. The number of maximal right chains is $|L_{r-\ell}| \leq 8\ell - 1$, and similarly for maximal left chains. \square*

The edges of a chain are the edges between consecutive vertices of the chain. A chain V is said to *wrap around* if every ray starting at z intersects the union of the edges of V at least twice. Since chains advance in the same direction around z with every step, this is equivalent to saying that V covers a total angle of at least 4π around z .

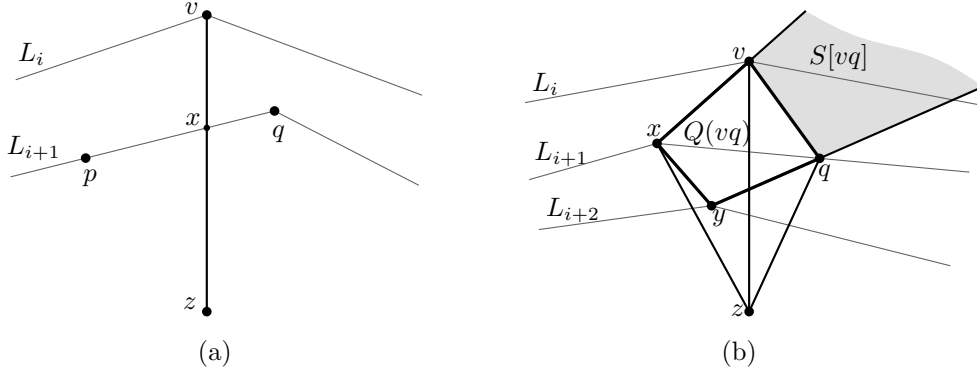


Figure 8. (a) The right child q and the left child p of v . (b) The quadrilateral $Q(vq)$ and the sector $S[vq]$.

Lemma 10. *If the number of middle layers $r - \ell - a$ is at least 32ℓ , then there is a chain with at most 32ℓ vertices that wraps around.*

Proof. Let $V = (v_1, \dots, v_t)$ be a right chain that starts at a point $v_1 \in L_{a+1}$. Since $r - \ell - a \geq 32\ell$, it can be assumed that $t = 32\ell$. By Lemma 9, each vertex v_i lies in some left chain, and there are at most $8\ell - 1$ maximal left chains, so some left chain intersects V at least five times. Let U be a left chain that intersects V in the points p_1, \dots, p_5 , where p_1 and p_5 are the first and last points of U respectively.

Recall that right chains advance clockwise around z with every step, and left chains anticlockwise. Therefore, the paths from p_i to p_{i+1} in U and V form a closed curve around z . So these paths cover an angle of 2π around z . Hence U and V together cover a total angle of at least 8π around z . This implies that at least one of them covers a total angle of at least 4π , and thus wraps around. Both U and V have at most t vertices because they lie in the layers L_{a+1} to L_{a+t} . \square

If q is the right child of a vertex v in a middle layer L_i , then associate with vq the following quadrilateral, as illustrated in Figure 8(b). Let x be the point in L_{i+1} anticlockwise from q , so x either lies on vz or is the left child of v . Let y be a point in the open triangle $\Delta(x, q, z)$ closest to xq . Such a y exists in L_{i+2} , otherwise xq would be an empty edge. Then $Q(vq) := vxyq$ is the quadrilateral associated with vq . This quadrilateral is strictly convex by construction. The triangle $\Delta[x, q, y]$ is empty since x and q are neighbours in L_{i+1} and y is a closest point to xq . The triangle $\Delta[v, q, x]$ is empty because it can contain neither a point of L_i nor L_{i+1} . Thus $Q(vq)$ is an empty quadrilateral. Empty quadrilaterals determine 4-sectors that must be empty since there are no empty pentagons. Let $S[vq]$ be the closed 4-sector determined by $Q(vq)$, that is, $S[v, x, y, q]$ in the notation established previously.

Let $V = (v_1, \dots, v_t)$ be a chain and let $e_i := v_i v_{i+1}$ be the edges of V . Let e_i^\oplus be the closed half-plane defined by e_i that does not contain z . Consider a quadrilateral $Q(e_i) = v_i x_i y_i v_{i+1}$ and let c_i be the edge $x_i v_i$ and let d_i be the opposite edge $y_i v_{i+1}$. Let c_i^\oplus be the closed half-plane defined by c_i that contains d_i , and let d_i^\oplus be the closed half-plane defined by d_i that contains c_i . With these definitions, the 4-sector defined by $Q(e_i)$ is $S[e_i] = c_i^\oplus \cap d_i^\oplus \cap e_i^\oplus$.

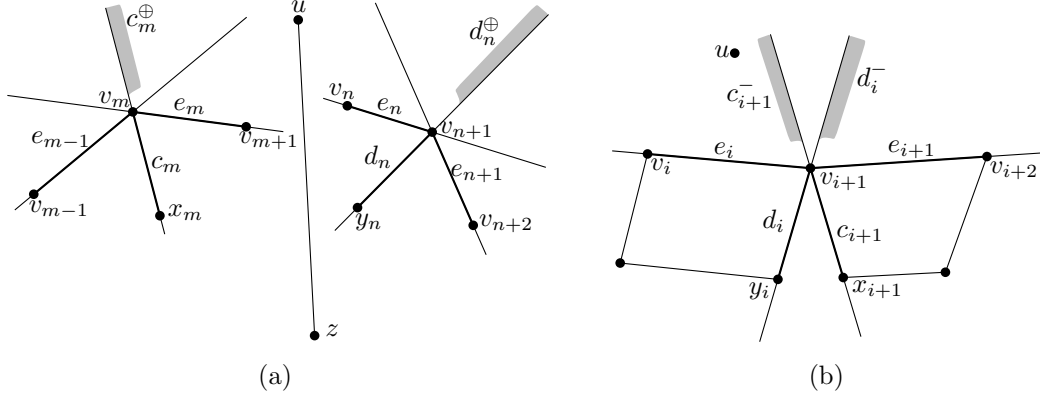


Figure 9. (a) $u \in c_m^\oplus$ and $u \in d_n^\oplus$. (b) u cannot be in both d_i^- and c_{i+1}^- .

Lemma 11. *If $V = (v_1, \dots, v_t)$ wraps around, then the corresponding 4-sectors $S[e_i]$ cover the points of the outer layers L_1 to L_a .*

Proof. Let u be a point in $L_1 \cup \dots \cup L_a$. Without loss of generality, suppose that V is a right chain, and that the line $l(uz)$ is vertical with u above z . Consider the ray h contained in $l(uz)$ that starts at z and does not contain u . Since V wraps around, it crosses h at least twice. Therefore there are two non-consecutive edges e_j and e_k of V that intersect h (with $j < k$), and there is an edge e_p between e_j and e_k that intersects the line segment zu .

Note that u lies in e_j^- and e_k^- , but u lies in e_p^+ . Let \tilde{V} be the maximal subchain of V that contains e_p and such that $u \in e^+$ for every edge e of \tilde{V} . Let e_m and e_n be the first and last edges of \tilde{V} . Since e_j and e_k are not in \tilde{V} and $j < m \leq n < k$, the edges e_{m-1} and e_{n+1} are not in \tilde{V} . Thus $u \in e_{m-1}^\ominus \cap e_m^+$, as shown in Figure 9(a). Also, v_m lies to the left of $l(uz)$ since $j < m \leq p$. This implies that u and v_{m+1} are on the same side of $l(c_m)$, so $u \in c_m^\oplus$. Furthermore, $u \in e_n^+ \cap e_{n+1}^\ominus$, and v_{n+1} lies to the right of $l(uz)$ since $p \leq n < k$, as shown in Figure 9(a) also. This implies that $u \in d_n^\oplus$.

Since $u \in e_i^+ \cap e_{i+1}^+$ for $m \leq i \leq n-1$, the fact that y_i precedes x_{i+1} in L_{i+2} (or $y_i = x_{i+1}$) means that it is not possible for u to be in both d_i^- and c_{i+1}^- ; see Figure 9(b). In order to prove that u is in some $S[e_i] = c_i^\oplus \cap d_i^\oplus \cap e_i^\oplus$, it suffices to show that $u \in c_i^\oplus \cap d_i^\oplus$ for some $i \in \{m, \dots, n\}$. Let q be minimal such that $u \in d_q^\oplus$. Such a q exists because $u \in d_n^\oplus$. Then either $q = m$ or $u \in d_{q-1}^-$, so in any case $u \in c_q^\oplus$. Therefore u lies in $S[e_q]$. \square

Lemma 10 says that if the number of middle layers $r - \ell - a$ is at least 32ℓ , then there is a chain $V = (v_1, \dots, v_t)$ with $t = 32\ell$ that wraps around. Since P contains no empty pentagons, Lemma 11 then implies that every point in the outer layers lies on one of the lines $l(c_i)$ or $l(d_i)$ that bound the sectors $S[e_i]$ corresponding to V . Thus the number of points in the outer layers is at most $2t(\ell - 3) = 64\ell(\ell - 3)$. Recall however that a was chosen so that the outer layers contained at least $64\ell(\ell - 1)$ points, so in fact the number of middle layers is less than 32ℓ . Therefore (by Theorem 2) the number of points in the middle layers is $|L_{a+1} \cup \dots \cup L_{r-\ell}| < 32\ell \times 8\ell = 256\ell^2$. As noted at the beginning of the proof, $|L_1 \cup \dots \cup L_a| < 64\ell^2$, and also $|L_{r-\ell+1} \cup \dots \cup L_r| < 8\ell^2$.

Adding everything up gives $|P| = |L_1 \cup \dots \cup L_r| < 328\ell^2$. This contradicts the assumption that $|P| \geq 328\ell^2$, and so in fact P does contain an empty pentagon. This completes the proof of Theorem 1. \square

APPENDIX A. PROOF OF LEMMA 8

Lemma 8 appears implicitly in the paper of Abel et al. [1]. The following proof is adapted directly from that paper, and the figures are reproduced with the kind permission of the authors. For simplicity, consider a point set P with ℓ layers, so the statement becomes:

Lemma 8.1. *Let L_1, \dots, L_ℓ be the convex layers of a point set P . If L_1 contains an empty edge then P contains an empty pentagon or ℓ collinear points.*

Proof. Suppose for contradiction that P contains no empty pentagon and no ℓ collinear points. Let z be a point in the innermost layer L_ℓ of P . Suppose xy is an empty edge of L_i for some $i \in \{1, \dots, \ell - 2\}$. In this case, the intersection of the boundary of $\text{conv}(L_{i+1})$ and $\Delta(x, y, z)$ is contained in an edge pq of L_{i+1} . Call pq the *follower* of xy . First some properties of followers are established.

Claim 1. If pq is the follower of xy , then $pxyq$ is an empty quadrilateral and pq is empty.

Proof. Let $Q := pxyq$. Since p and q are in the interior of $\text{conv}(L_i)$, both x and y are corners of Q . Both p and q are corners of Q , otherwise xy would not be empty. Thus Q is in strictly convex position. Q is empty by the definition of L_{i+1} .

Suppose that pq is not empty; that is, $\Delta(p, q, z) \cap L_{i+2} \neq \emptyset$. Then the 4-sector $S(p, x, y, q) \neq \emptyset$, so P contains an empty pentagon. This contradiction proves that pq is empty. \square

As illustrated in Figure 10(a)–(c), the follower pq of xy is said to be:

- *double-aligned* if $p \in l(xz)$ and $q \in l(yz)$,
- *left-aligned* if $p \in l(xz)$ and $q \notin l(yz)$,
- *right-aligned* if $p \notin l(xz)$ and $q \in l(yz)$.

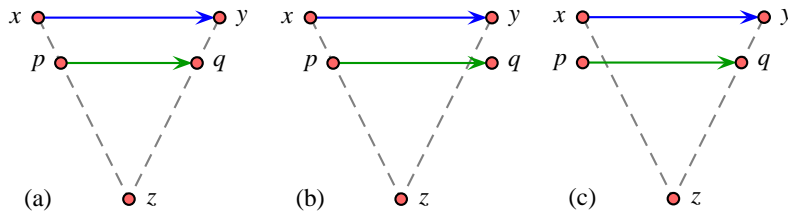


Figure 10. (a) Double-aligned. (b) Left-aligned. (c) Right-aligned.

Claim 2. If pq is the follower of xy , then pq is either double-aligned or left-aligned or right-aligned.

Proof. Suppose that pq is neither double-aligned nor left-aligned nor right-aligned, as illustrated in Figure 11(a). By Claim 1, $pxyq$ is an empty quadrilateral. But the 4-sector $S(p, x, y, q)$ contains the point z , so P contains an empty pentagon. \square

Returning to the proof of Lemma 8.1, let x_1y_1 be the empty edge of L_1 . For $i = 2, 3, \dots, \ell - 1$, let x_iy_i be the follower of $x_{i-1}y_{i-1}$. By Claim 1 (at each iteration), x_iy_i is empty. For some $i \in \{2, \dots, \ell - 2\}$, the edge x_iy_i is not double-aligned, as otherwise $\{x_1, x_2, \dots, x_{\ell-2}, z\}$ are collinear and $\{y_1, y_2, \dots, y_{\ell-2}, z\}$ are collinear, which implies that $\{x_1, x_2, \dots, x_{\ell-1}, z\}$ are collinear or $\{y_1, y_2, \dots, y_{\ell-1}, z\}$ are collinear by Claim 2. Let i be the minimum integer in $\{2, \dots, \ell - 2\}$ such that x_iy_i is not double-aligned. Without loss of generality, x_iy_i is left-aligned. On the other hand, x_jy_j cannot be left-aligned for all $j \in \{i+1, \dots, \ell - 1\}$, as otherwise $\{x_1, x_2, \dots, x_{\ell-1}, z\}$ are collinear. Let j be the minimum integer in $\{i+1, \dots, \ell - 1\}$ such that x_jy_j is not left-aligned. Thus $x_{j-1}y_{j-1}$ is left-aligned and x_jy_j is not left-aligned. It follows that $x_{j-2}y_{j-2}y_{j-1}y_jx_{j-1}$ is an empty pentagon, as illustrated in Figure 11(b). This contradiction completes the proof. \square

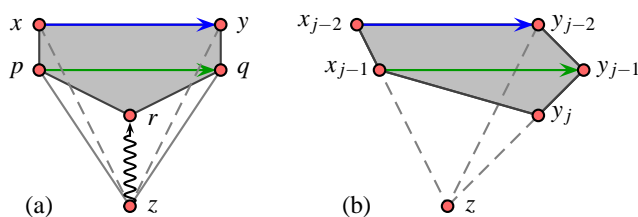


Figure 11. (a) Neither double-aligned nor left-aligned nor right-aligned. (b) The empty pentagon $x_{j-2}y_{j-2}y_{j-1}y_jx_{j-1}$.

REFERENCES

- [1] Z. ABEL, B. BALLINGER, P. BOSE, S. COLLETTE, V. DUJMOVIĆ, F. HURTADO, S. D. KOMINERS, S. LANGERMAN, A. PÓR, AND D. R. WOOD, *Every large point set contains many collinear points or an empty pentagon*, *Graphs Combin.*, 27 (2011), pp. 47–60.
- [2] J. CIBULKA AND J. KYNČL, *Private communication*. 2012.
- [3] D. EPPSTEIN, *Happy endings for flip graphs*, *J. Comput. Geom.*, 1 (2010), pp. 3–28.
- [4] P. ERDŐS, *On some problems of elementary and combinatorial geometry*, *Ann. Mat. Pura Appl.* (4), 103 (1975), pp. 99–108.
- [5] P. ERDŐS AND G. SZEKERES, *A combinatorial problem in geometry*, *Compositio Math.*, 2 (1935), pp. 463–470.
- [6] —, *On some extremum problems in elementary geometry*, *Ann. Univ. Sci. Budapest. Eötvös Sect. Math.*, 3–4 (1960/1961), pp. 53–62.
- [7] T. GERKEN, *Empty convex hexagons in planar point sets*, *Discrete Comput. Geom.*, 39 (2008), pp. 239–272.

- [8] H. HARBORTH, *Konvexe Fünfecke in ebenen Punktmengen*, Elem. Math., 33 (1978), pp. 116–118.
- [9] J. D. HORTON, *Sets with no empty convex 7-gons*, Canad. Math. Bull., 26 (1983), pp. 482–484.
- [10] V. A. KOSHELEV, *The Erdős-Szekeres problem*, Dokl. Akad. Nauk, 415 (2007), pp. 734–736.
- [11] C. M. NICOLÁS, *The empty hexagon theorem*, Discrete Comput. Geom., 38 (2007), pp. 389–397.
- [12] S. RABINOWITZ, *Consequences of the pentagon property*, Geombinatorics, 14 (2005), pp. 208–220.
- [13] P. VALTR, *On empty hexagons*, in Surveys on discrete and computational geometry, vol. 453 of Contemp. Math., Amer. Math. Soc., 2008, pp. 433–441.

SCHOOL OF MATHEMATICAL SCIENCES
MONASH UNIVERSITY
VICTORIA 3800, AUSTRALIA
E-mail address: `janos.barat@monash.edu`

SCHOOL OF COMPUTER SCIENCE
CARLETON UNIVERSITY
OTTAWA, CANADA
E-mail address: `vida@scs.carleton.ca`

DÉPARTEMENT D'INFORMATIQUE
UNIVERSITÉ LIBRE DE BRUXELLES
BRUSSELS, BELGIUM
E-mail address: `gjoret@ulb.ac.be`

DEPARTMENT OF MATHEMATICS AND STATISTICS,
THE UNIVERSITY OF MELBOURNE
MELBOURNE, AUSTRALIA
E-mail address: `m.payne3@pgrad.unimelb.edu.au`

INSTITUT FÜR INFORMATIK
FREIE UNIVERSITÄT BERLIN
BERLIN, GERMANY
E-mail address: `scharf@mi.fu-berlin.de`

INSTITUT FÜR INFORMATIK
FREIE UNIVERSITÄT BERLIN
BERLIN, GERMANY
E-mail address: `daria.schymura@gmx.net`

DEPARTMENT OF APPLIED MATHEMATICS AND INSTITUTE FOR THEORETICAL COMPUTER SCIENCE
(CE-ITI),
CHARLES UNIVERSITY
PRAGUE, CZECH REPUBLIC

DEPARTMENT OF MATHEMATICS AND STATISTICS,
THE UNIVERSITY OF MELBOURNE
MELBOURNE, AUSTRALIA
E-mail address: `woodd@unimelb.edu.au`